

2" BULKHEAD CONNECTOR

BULKHEAD CONNECTOR CHARACTERISTICS

PM 50

PARAMETERS	VALUES	NOTE
WORKING PRESSURE	0 - 8 Bar	
TEMPERATURE RANGE (T)	- 40°C + 82°C - 29°C + 232°C	STANDARD NBR GASKET VITON GASKET
WEIGHT	1100 g	



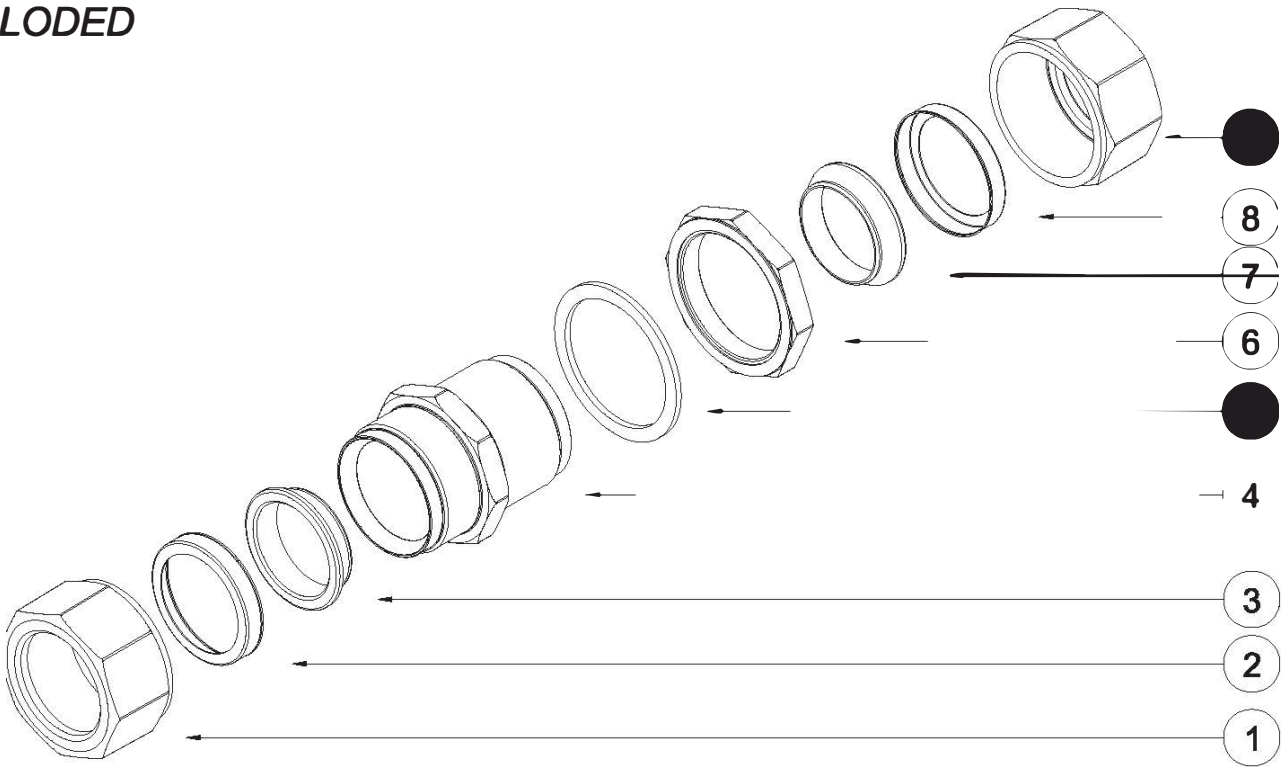
MECHANICAL DETAILS

No	DESCRIPTION	STANDARD MATERIAL	PORT OPTION	HI TEMP MATERIALS	KIT CODE STANDARD	KIT CODE HI TEMP
1	NUT	ALUMINIUM DIE CAST	N/A	AS STANDARD	-	-
2	2" WASHER	CARBON STEEL GALVANIZED	N/A	AS STANDARD	-	-
3	TAPPER GASKET	NBR	N/A	VITON	-	-
4	BODY 2"	ALUMINIUM DIE CAST	N/A	AS STANDARD	-	-
5	GASKET	NBR	N/A	VITON	-	-
6	NUT	ALUMINIUM DIE CAST	N/A	AS STANDARD	-	-
7	TAPPER GASKET	NBR	N/A	VITON	-	-
8	2" WASHER	CARBON STEEL GALVANIZED	N/A	AS STANDARD	-	-
9	NUT	ALUMINIUM DIE CAST	N/A	AS STANDARD	-	-

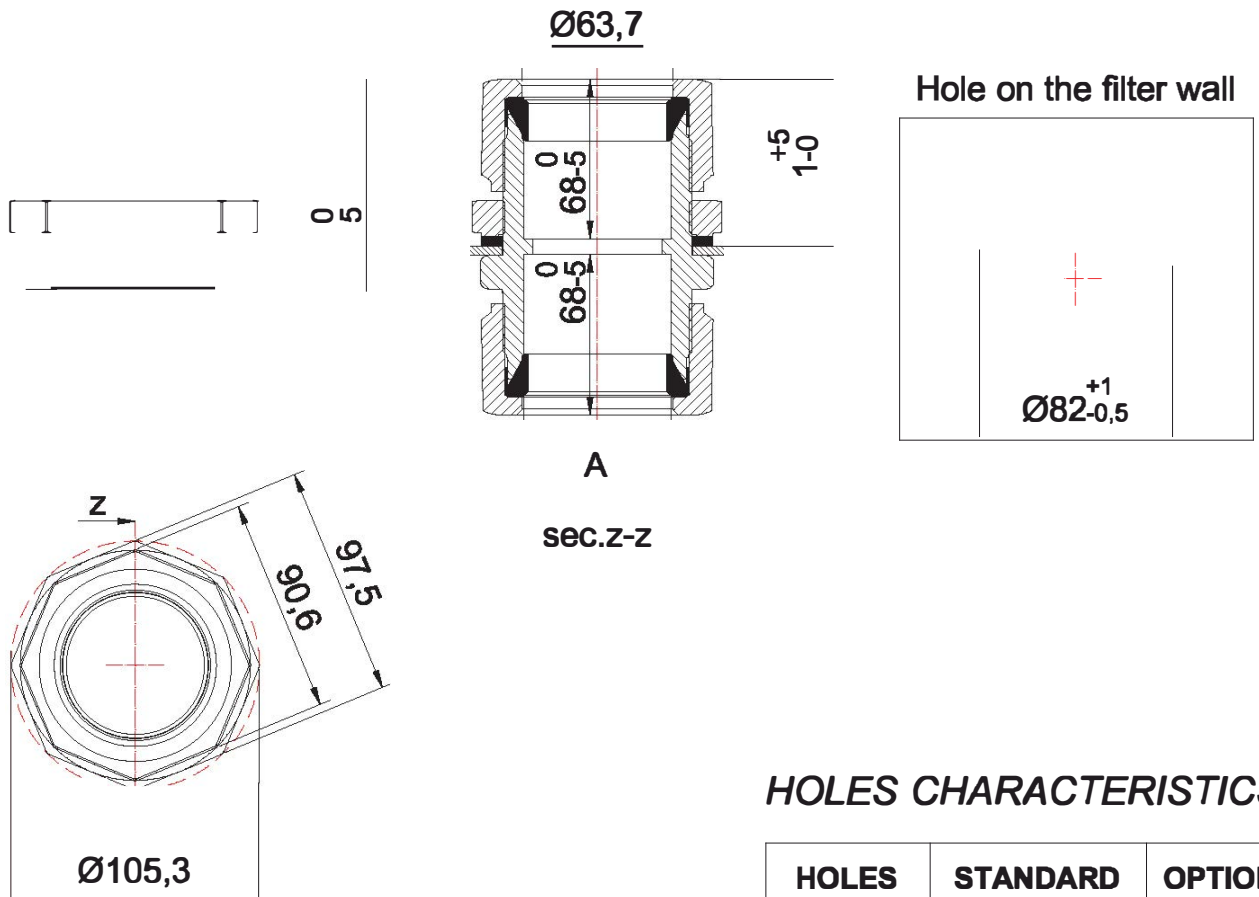
TIGHTENING TORQUE

No	DESCRIPTION	VALUES
1	NUT	40 Nm ± 4
4	NUT	20 Nm ± 2
9	NUT	40 Nm ± 4

EXPLODED



ASSEMBLED DIMENSIONS



HOLES CHARACTERISTICS

HOLES	STANDARD	OPTIONAL
A	2" G = $\text{Ø}60,3\text{mm}$	