

1 1/2" BULKHEAD CONNECTOR

Doc No PM40

Page 1/2

BULKHEAD CONNECTOR CHARACTERISTICS

PM 40

PARAMETERS	VALUES	NOTE
WORKING PRESSURE	0 - 8 Bar	
TEMPERATURE RANGE (T)	- 40°C + 82°C	STANDARD NBR GASKET
	- 40°C + 200°C	SILICON GASKET
WEIGHT	100 g	



MECHANICAL DETAILS

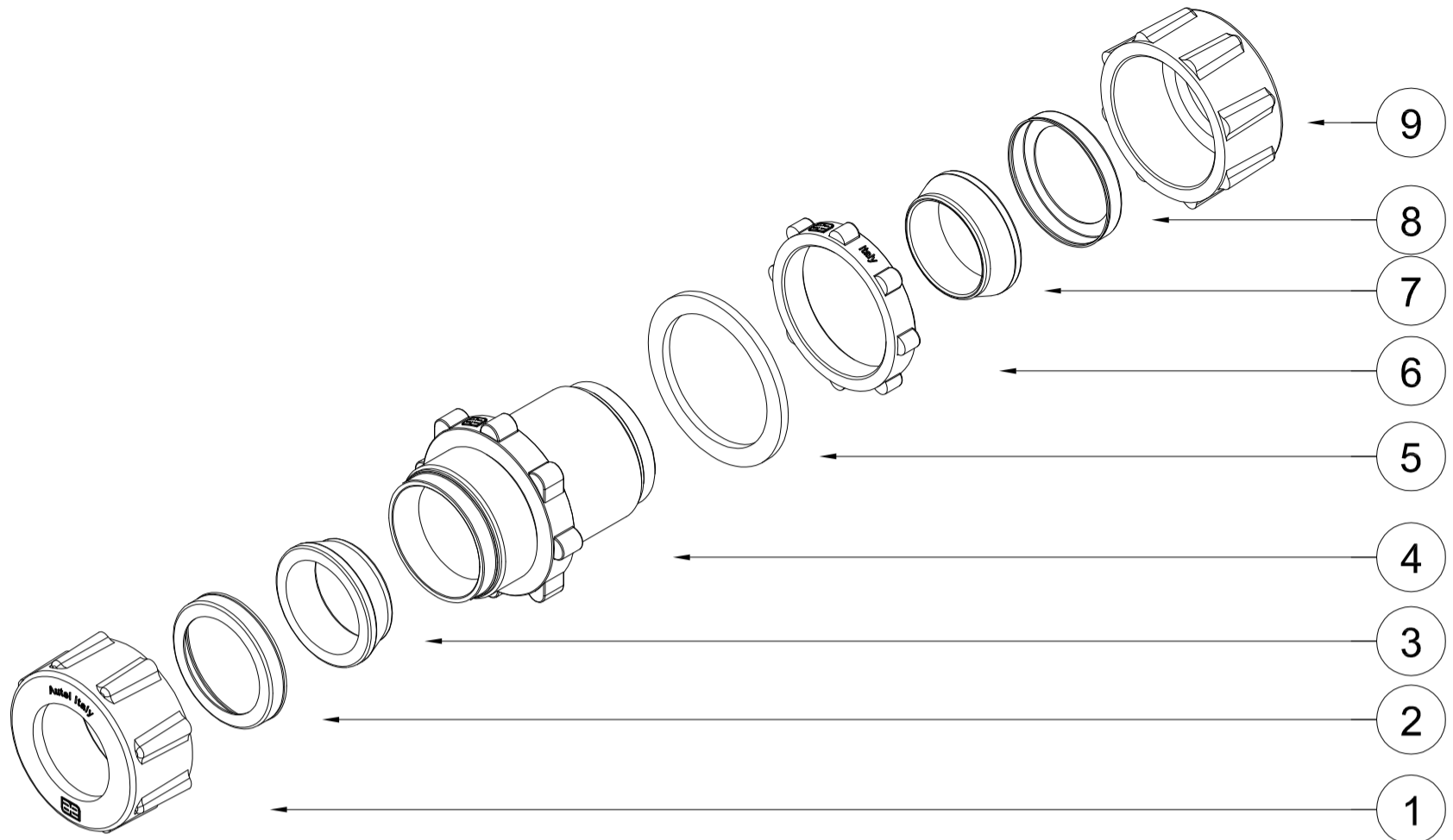
No	DESCRIPTION	STANDARD MATERIAL	PORT OPTION	HI TEMP MATERIALS	KIT CODE STANDARD	KIT CODE HI TEMP
1	NUT	ALUMINIUM DIE CAST	N/A	AS STANDARD	-	-
2	1 1/2" WASHER	CARBON STEEL GALVANIZED	N/A	AS STANDARD	-	-
3	TAPPER GASKET	NBR	N/A	SILICON	-	-
4	BODY 1 1/2"	ALUMINIUM DIE CAST	N/A	AS STANDARD	-	-
5	GASKET	NBR	N/A	SILICON	-	-
6	NUT	ALUMINIUM DIE CAST	N/A	AS STANDARD	-	-
7	TAPPER GASKET	NBR	N/A	SILICON	-	-
8	1 1/2" WASHER	CARBON STEEL GALVANIZED	N/A	AS STANDARD	-	-
9	NUT	ALUMINIUM DIE CAST	N/A	AS STANDARD	-	-

TIGHTENING TORQUE

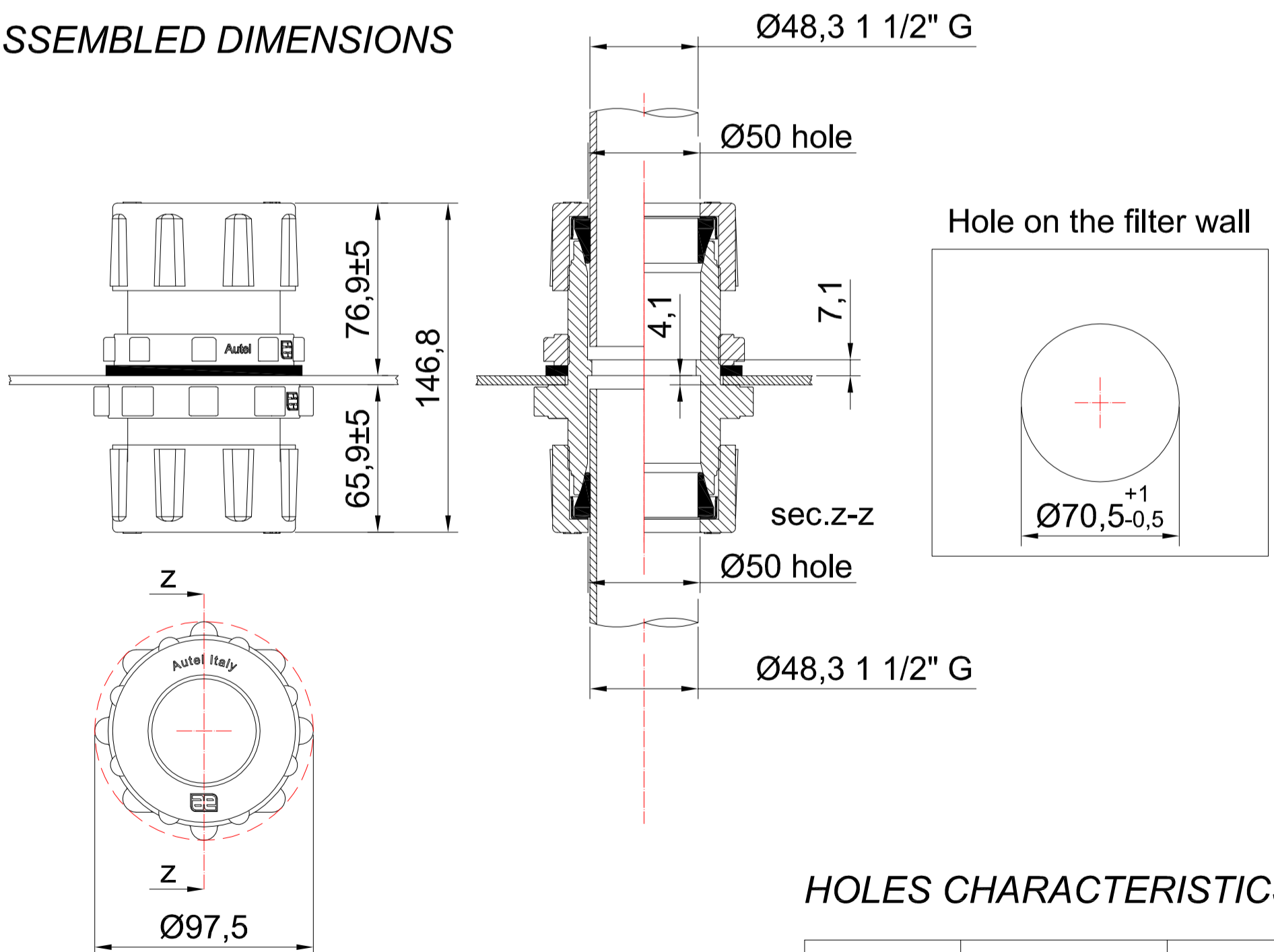
No	DESCRIPTION	VALUES
1	NUT	40 Nm ± 4
4	NUT	20 Nm ± 2
9	NUT	40 Nm ± 4

1 1/2" BULKHEAD CONNECTOR

EXPLODED



ASSEMBLED DIMENSIONS



HOLES CHARACTERISTICS

HOLES	STANDARD	OPTIONAL
A	1 1/2" G = Ø48,3mm	-